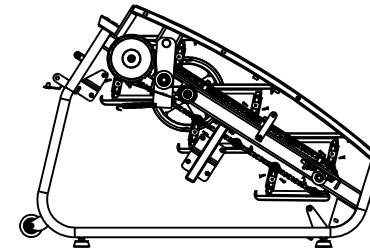
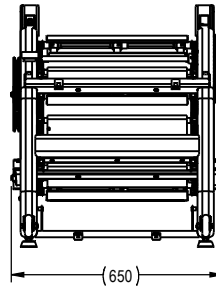
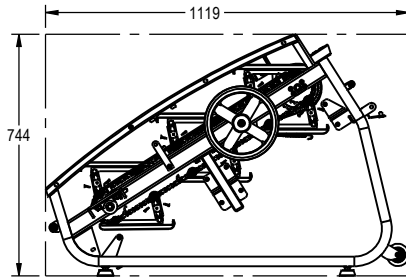
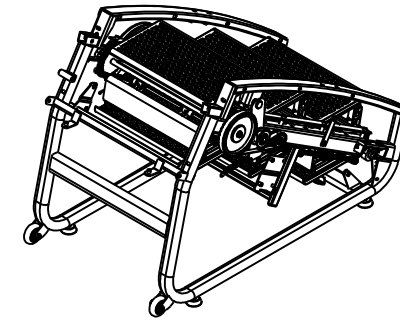
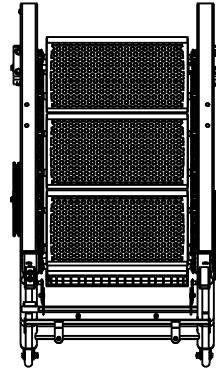


NOTES:

REVISION HISTORY				
REV	DATE	DESCRIPTION	ECO	BY
C	11/21/2013	DOCUMENT CREATED FROM MODEL. DRIVE SHAFT, LIMIT SCREW AND LIMIT COLLAR 723-0080, 723-0091 AND 723-0067 REMOVED AND REPLACED BY 723-0274, 110-3585 AND 723-0275, RESPECTIVELY. LEVEL FEET 84995 REPLACED BY 140-3495. WHEELS 723-0102 REPLACED BY 740-8006. RIVET 723-0092 REPLACED BY 740-7304. BEARING 23082 REPLACED BY 130-1660. SET SCREW 22039 REPLACED BY 110-3476. WASHER 22128 REPLACED BY 120-0490.	14470	CRB
D	7/31/2014	CHANGE TO KEYWAYS ON DRIVE SHAFTS. REMOVE 723-0059, 723-0046 (2), 723-0043, 723-0098 (4). ADD 723-0278, 723-0279, 140-3574, 723-0110, 723-0280	14738	CRB
E	9/16/2014	CHANGE TO ACTIVE TENSION SYSTEM. REMOVE 723-0240, 723-0089, 723-0071, 723-0106 AND 723-0011. ADD 723-0287, 723-0281, 130-1837, 110-3256 AND 740-7146. ADD PREVIOUSLY UNDOCUMENTED PART 723-0058	14784	CRB



**DOCUMENT STATUS:**

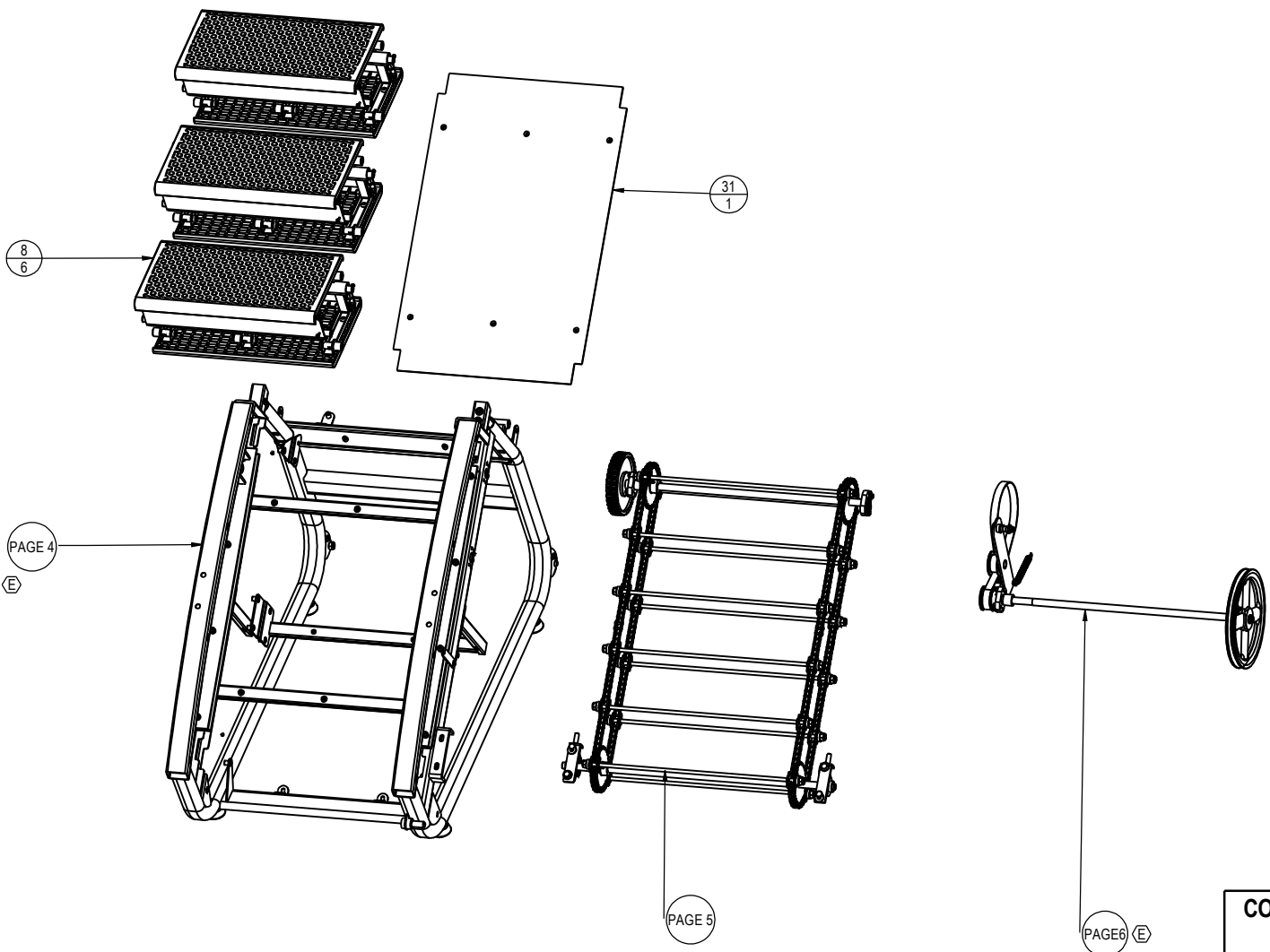
NOTICE OF PROPRIETARY INFORMATION  
 THIS DOCUMENT SHALL NOT BE REPRODUCED NOR SHALL THE INFORMATION CONTAINED HEREIN BE USED BY OR DISCLOSED TO OTHER EXCEPT AS EXPRESSLY AUTHORIZED BY CORE HEALTH & FITNESS, LLC.

MATERIAL SEE BOM	THIRD ANGLE PROJECTION		CORE HEALTH & FITNESS, LLC		
			4400 NE 77th Ave., Suite 300 Vancouver, WA 98662		
FINISH N/A	DRAWN	CRB	DATE	11/21/2013	CORE PART NO
	CHECKED				<b>723-0010</b>
VENDOR:	P/N:				TITLE
					ASSY, MAIN FRAME
		U.O.M.	MM	SCALE: 1:15	SHEET 1 OF 6
					SHEET SIZE: B

9 8 7 6 5 4 3 2 1

9		8		7		6		5		4		3		2		1	
ITEM NO.		PART NUMBER		DESCRIPTION		QTY		ITEM NO.		PART NUMBER		DESCRIPTION		QTY			
J	1	050-0135	CONNECTING PLATE	2				43	731-0363	M10 NYLON HEX NUT	40						J
	2	110-3476	SCREW, SET, 3/8-16, 1", SHSS, AS, ECB	2				44	740-7304	NUT, RIVET, M6	32						
	3	110-3585	SCREW, M4-P0.7 x 5, SHC, HK, AS, ZP, NP	1				45	740-7334	WASHER, M8, PLAIN WASHER, SS	4						
	4	120-0490	WASHER, 5/16 SAE FLAT, 11/16" OD X 11/32" ID, .06 THICK	48				46	740-8006	WHEEL, FRONT FOOT, SPINNER	2						
I	5	130-1660	BEARING, 8 MM ID X 22 MM OD X 7 MM WIDTH	24				47	723-0287	ASSY, MAIN SUB FRAME	1						
	6	140-3495	FEET, 3/8-16 SCREW, 1.93" BASE	4				(E) 48	723-0281	ASSY, TENSIONER, SM3	1						I
	7	140-3574	KEY, 3/16" X 3/16" X 1.375"	2				(E) 49	110-3256	NUT, NYLON-INSERT, M8 X 1.25	1						
	8	723-0047	ASSY, RISER AND STEP BRACE	6				(E) 50	130-1837	JFM1214-07, BEARING, FLANGE, IGUS	2						
H	9	723-0057	PULLY, 228MM OD 15MM ID	1				(E) 51	731-0364	SCREW, M8X1.25, 45mm, BHC, HK	2						H
	10	723-0061	SPACER, DRIVE SHAFT	4				(E) 52	723-0058	BEARING SUPPORT PLATE	2						
	11	723-0062	ASSY, #40 CHAIN MAIN DRIVE	2				(E) 53	740-7146	Washer, M8, Ø8.5xØ19x1.2mm, SS	1						
	12	723-0064	BRACKET, SLIDE ADJUST PILLOW BRACKET	2													
	13	723-0065	THREADED SHAFT, STEP/RISER	12													
G	14	723-0066	SENSOR, EMERGENCY STAIR STOP	1													G
	15	723-0068	SLEEVE, SPROCKET GUIDE, UPPER	1													
	16	723-0069	SLEEVE, UPPER DRIVE SHAFT 20MM OD 15MM ID	2													
	17	723-0070	SPROCKET, BELT DRIVEN 144.16MM OD 15MM ID	1													
F	18	723-0076	CR-THMS 0.25-20x0.5x0.5-N	18													F
	19	723-0079	SPROCKET, BELT DRIVEN 47MM OD 15MM ID	1													
	20	723-0081	ASSY, BRACE, LOWER/INNER SHROUD MOUNTS	1													
	21	723-0087	TUBE, SPACER, GUIDE RAIL	8													
	22	723-0088	PLATE, GUIDE RAIL TOP	2													
E	23	723-0089	SCREW, M8X1.25, BB AXLE	3													E
	24	723-0090	PARALLEL KEY, 5X15	2													
	25	723-0093	NUT, 3/8-16 NC	4													
	26	723-0094	SHCS, M8X15	4													
	27	723-0096	BOLT, HEX, M8X25	4													
	28	723-0097	BEARING 6902-2RS 15x28x7 SEALED	4													
D	29	723-0099	NUT, RIVET, M8 X 1.25	2													D
	30	723-0102	GB_CROSS_SCREWS_TYPE4 M6X16-12.7 H type-N	6													
	31	723-0104	PAN GUARD	1													
	32	723-0105	BEARING, PILLOW BLOCK	2													
C	33	723-0107	BELT, TIMING, COGGED	1													C
	34	723-0109	SHCS M8x45	8													
	35	723-0110	SCREW, SET, M6X5	6													
	36	723-0168	WASHER, 20.3MM ODX8.2MM ID	4													
	37	723-0269	ASSY, SHIM, NYLON, .078", SM3	1													
B	38	723-0274	SHAFT, MAIN BELT DRIVE 16MM, SET	1													B
	39	723-0275	SHAFT ALIGNMENT SLEEVE, SET	1													
	40	723-0278	WELDMENT, DRIVE SHAFT, LOWER, SM3	1													
	41	723-0279	WELDMENT, DRIVE SHAFT, UPPER, SM3	1													
A	42	723-0280	SPROCKET, KEYED, ROLLER CHAIN #40, 16mm ID, SM3	2													A

<b>CORE HEALTH &amp; FITNESS, LLC</b>		
4400 NE 77th Ave., Suite 300 Vancouver, WA 98662		
CORE PART NO	<b>723-0010</b>	REV <b>E</b>
TITLE <b>ASSY, MAIN FRAME</b>		
SCALE: 1:25	SHEET 2 OF 6	SHEET SIZE: B



8  
6

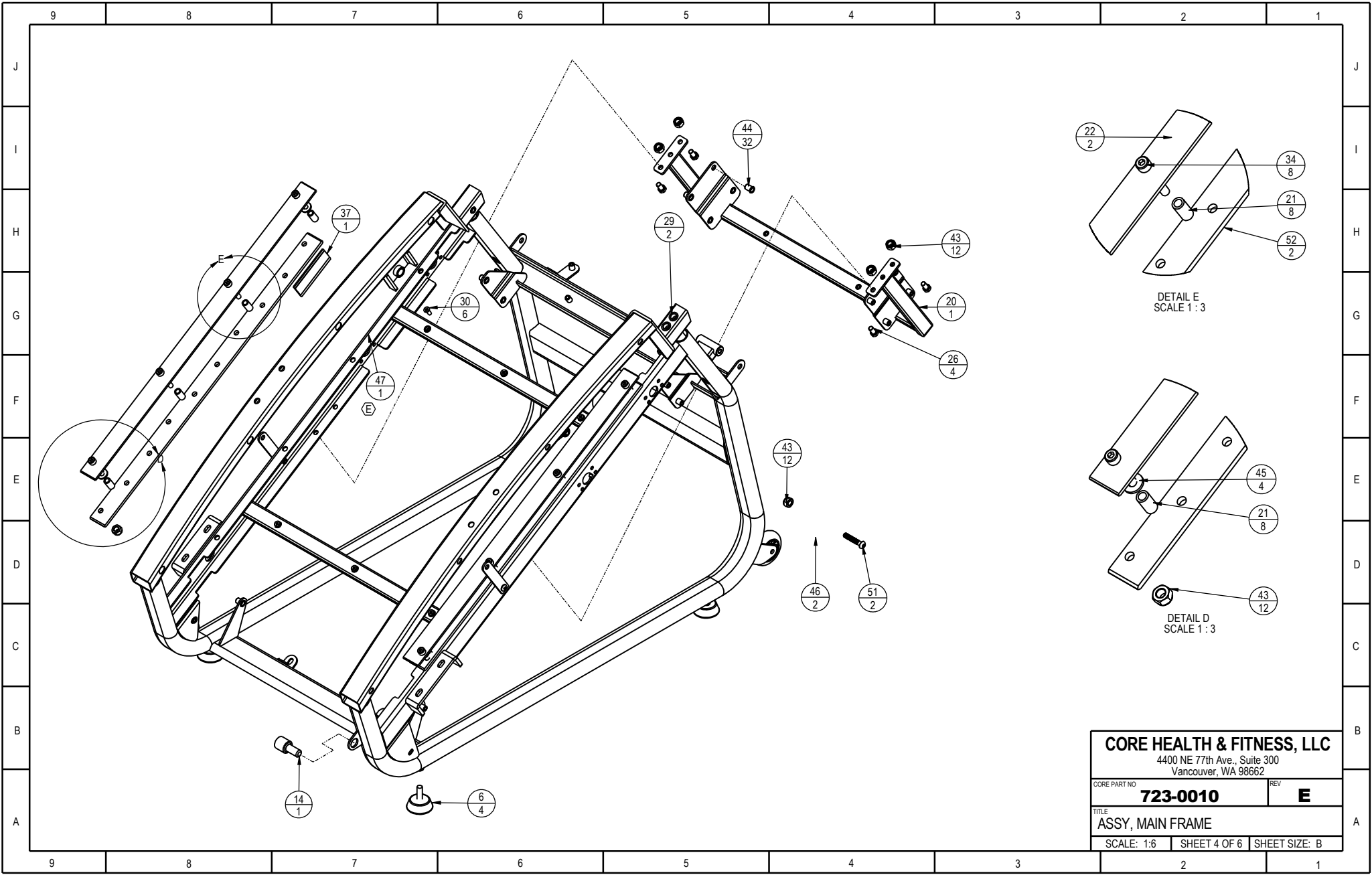
31  
1

PAGE 4  
E

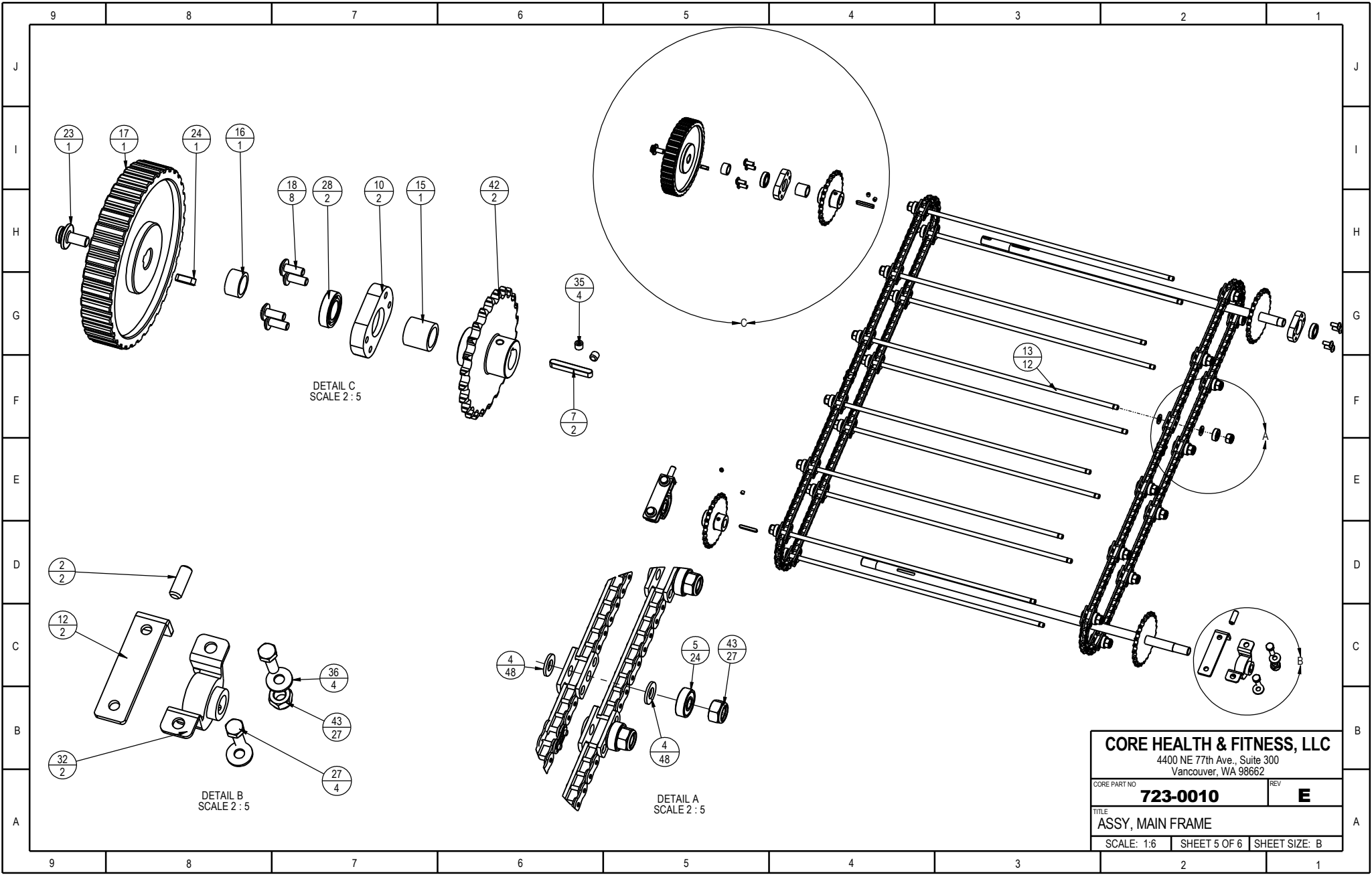
PAGE 5

PAGE 6  
E

<b>CORE HEALTH &amp; FITNESS, LLC</b>		
4400 NE 77th Ave., Suite 300 Vancouver, WA 98662		
CORE PART NO	<b>723-0010</b>	REV <b>E</b>
TITLE <b>ASSY, MAIN FRAME</b>		
SCALE: 1:10	SHEET 3 OF 6	SHEET SIZE: B

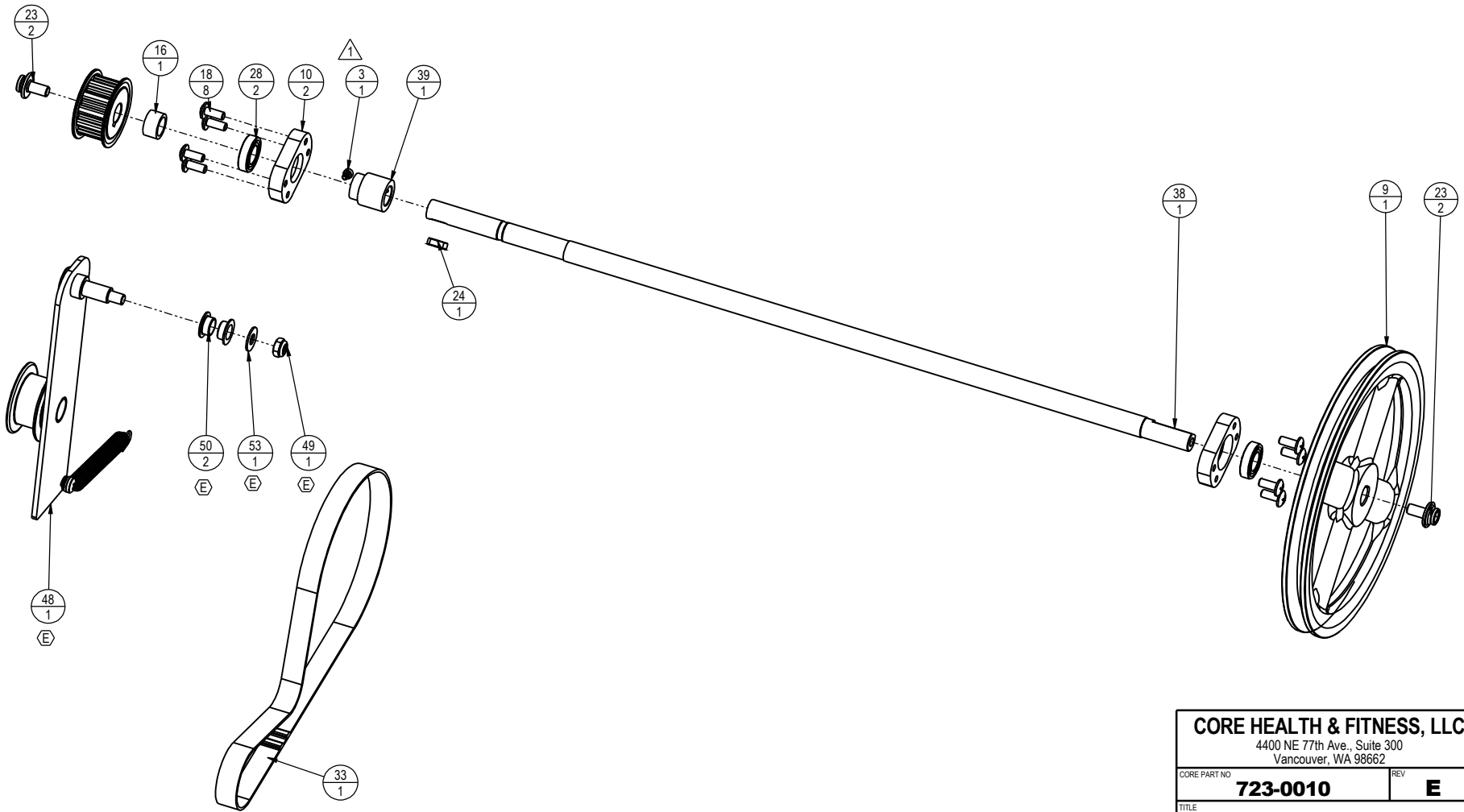


<b>CORE HEALTH &amp; FITNESS, LLC</b>		
4400 NE 77th Ave., Suite 300 Vancouver, WA 98662		
CORE PART NO	REV	
<b>723-0010</b>	<b>E</b>	
TITLE <b>ASSY, MAIN FRAME</b>		
SCALE: 1:6	SHEET 4 OF 6	SHEET SIZE: B



<b>CORE HEALTH &amp; FITNESS, LLC</b>		
4400 NE 77th Ave., Suite 300 Vancouver, WA 98662		
CORE PART NO	<b>723-0010</b>	REV <b>E</b>
TITLE <b>ASSY, MAIN FRAME</b>		
SCALE: 1:6	SHEET 5 OF 6	SHEET SIZE: B

NOTES:  
1. TORQUE TO 1.5Nm



**CORE HEALTH & FITNESS, LLC**  
4400 NE 77th Ave., Suite 300  
Vancouver, WA 98662

CORE PART NO	REV
<b>723-0010</b>	<b>E</b>

TITLE
<b>ASSY, MAIN FRAME</b>

SCALE: 1:3	SHEET 6 OF 6	SHEET SIZE: B
------------	--------------	---------------